



Project:	Type:	QTY:
Product Code:		

## Product Code

**IP54 - 504500 - COLOR - LAMP - VOLTAGE**

B =Black	24W3K	120=120V
W =White	24W4K	277=277V
A =Aluminum	24W5K	347=347V
CC=Custom Color	36W3K	
	36W4K	
	36W5K	
	48W3K	
	48W4K	
	48W5K	
	60W3K	
	60W4K	
	60W5K	

## Features + Specifications

### Intended Use:

- Building exterior

### Construction:

- Die cast aluminum body
- Ribbed polycarbonate lens
- Silicone gaskets
- Stainless steel fastener

### Finish:

- Powder coat paint
- Custom color available

### Optical System:

- Custom made SMD LED module with 120° symmetrical light distribution
- 3000K, 4000K, 5000K CCT with 80+ CRI
- Wide operating temperature range -30°C to +60°C

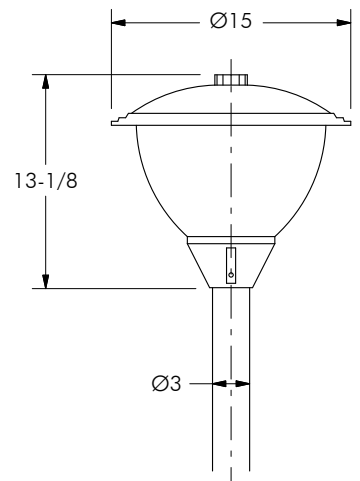
### Electrical System:

- Constant current drive technology
- HPF & High efficiency driver circuitry
- 100V AC to 264V AC variable input voltage eliminates voltage drop or voltage spike (common in large commercial and institutional buildings)
- 277V & 347V also available (consult factory)

### Mounting:

- Direct mount over 3" OD round pole
- Poles available, please check our pole section
- Wall bracket mounting also available
- Ideal mounting height 10ft to 12ft

Lamp Info Table		
Lamp	Rated Lumens	Perceived Lumens
24W	2400	3000
36W	3520	4400
48W	4800	6000
60W	5825	7200



Certified to CSA C22.2 No.250.0 Conformed to UL 1598

Certification Marks (where applicable) will be found on our luminaires and its components



www.iplighting.com



Right reserved for material and spec. modification without prior notice.

Datecode 20160506

Warranty - Up To 3 Years