



Project:	Type:	QTY:
Product Code:		

Product Code

IP55	-	504600	-	COLOR	-	LAMP	-	VOLTAGE
				B =Black		24W3K		120=120V
				W =White		24W4K		277=277V
				A =Aluminum		24W5K		347=347V
				CC=Custom Color		36W3K		
						36W4K		
						36W5K		
						48W3K		
						48W4K		
						48W5K		
						60W3K		
						60W4K		
						60W5K		

Features + Specifications

Intended Use:

- Building exterior

Construction:

- Die cast aluminum body
- Ribbed polycarbonate lens
- Silicone gaskets
- Stainless steel fastener

Finish:

- Powder coat paint
- Custom color available

Optical System:

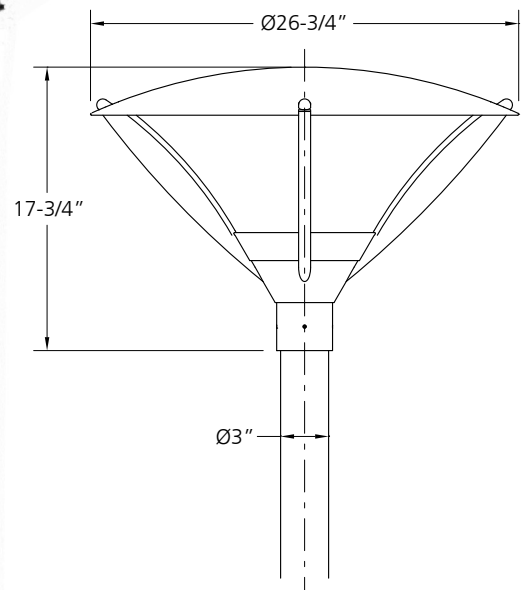
- Custom made SMD LED module with 120° symmetrical light distribution
- 3000K, 4000K, 5000K CCT with 80+ CRI
- Wide operating temperature range -30°C to +60°C

Electrical System:

- Constant current drive technology
- HPF & High efficiency driver circuitry
- 100V AC to 264V AC variable input voltage eliminates voltage drop or voltage spike (common in large commercial and institutional buildings)
- 277V & 347V also available (consult factory)

Mounting:

- Direct mount over 3" OD round pole
- Poles available, please check our pole section
- Wall bracket mounting also available
- Ideal mounting height 10ft to 12ft



Lamp	Rated Lumens	Perceived Lumens
24W	2400	3000
36W	3520	4400
48W	4800	6000
60W	5825	7200

Certified to CSA C22.2 No.250.0 Conformed to UL 1598

Certification Marks (where applicable) will be found on our luminaires and its components



www.iplighting.com



Right reserved for material and spec. modification without prior notice.

Datecode 20160506

Warranty - Up To 3 Years