



Project:	Type:	QTY:
Product Code:		

Product Code

IP55	-	506000	-	COLOR	-	LAMP	-	VOLTAGE
				B =Black		18W3K		120=120V
				W =White		18W4K		277=277V
				A =Aluminum		30W3K		347=347V
				CC=Custom Color		30W4K		

Features + Specifications

Intended Use:

- Building exterior

Construction:

- Die cast aluminum body
- High impact acrylic formed globe
- Stainless steel fastener

Finish:

- Powder coat paint
- Custom color available

Optical System:

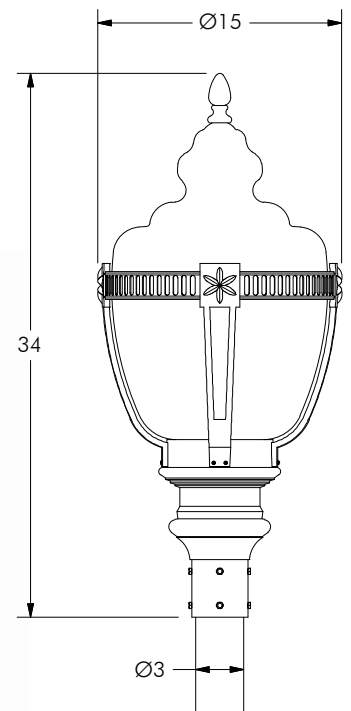
- Custom made indirect LED lighting module
- 3000K + 4000K CCT with 80+ CRI, 100+ lumens / watt
- Wide operating temperature range -30°C to +60°C

Electrical System:

- Constant current drive technology
- HPF & High efficiency driver circuitry
- 85V AC to 264V AC variable input voltage eliminates voltage drop or voltage spike (common in large commercial and institutional buildings)
- 277V & 347V also available (consult factory)

Mounting:

- Direct mount over 3" OD round pole
- Poles available, please check our pole section
- Wall bracket mounting also available
- Ideal mounting height 10ft to 12ft



Right reserved for material and spec. modification without prior notice.

Datecode 20160506

Warranty - Up To 3 Years

Certified to CSA C22.2 No.250.0 Conformed to UL 1598

Certification Marks (where applicable) will be found on our luminaires and its components



www.iplighting.com

