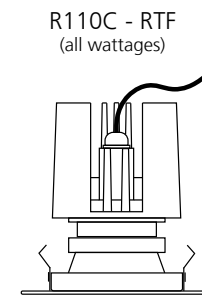
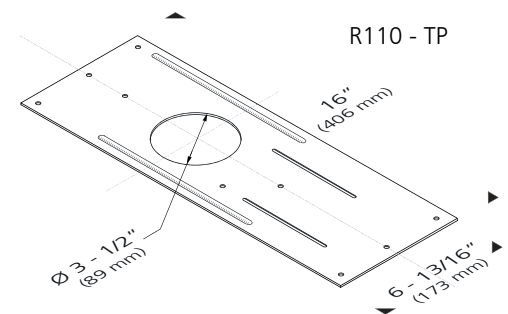
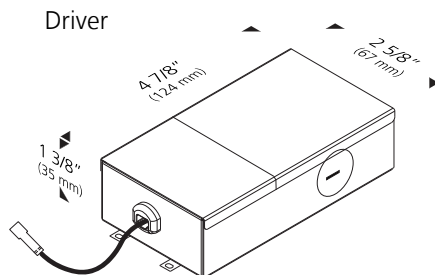
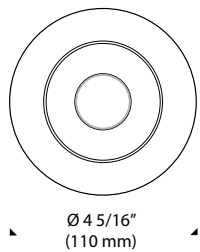
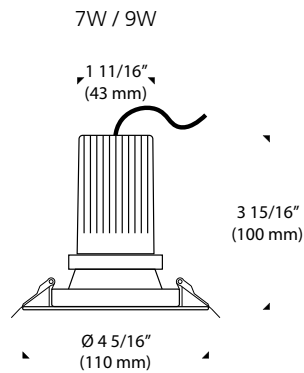
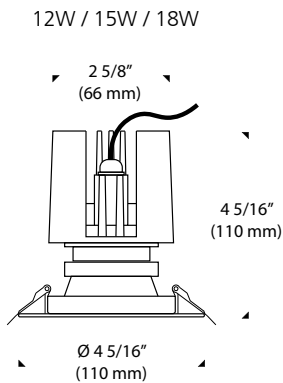


R110C

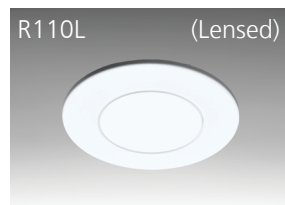
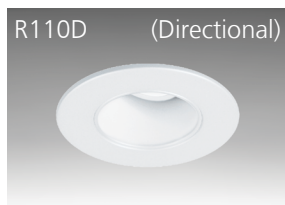
Electrical System:

- Plug in style driver box with FT6 connection cables.
- Driver junction box fill meets in/out wiring for 4 x 12AWG conductors.
- High efficiency constant current drive technology, low THD, HPF, RoHS compliant.
- 7W, 9W, 12W, 15W & 18W system watt.
- 120V AC line dimmable with most phase cut dimmers,
- 120V AC with 0-10V control optional.
- Driver box is IC rated with class II output.

Dimensions:



Related models:



Mounting:

- Ceiling recessed mount.
- Can be use as retrofit into existing finished ceiling.
- New construction mounting plate is available, please order R110-TP.
- R110C-RTF fits into existing 3.5" housing with MAX. 420MA driver current, 36V DC output voltage.

Accessories:

Right reserved for material and spec modification without prior notice

Datocode 20220916