

Project:	Type:	QTY:
Product Code:		



Product Code

IP53 - **RFL300SM**

COLOR

W = White

LED DATA

CS345

VOLTAGE

120 = 120V

Features + Specifications

Intended Use:

- Building interior, protected exterior
- Damp location listed, wall/ceiling mount

Construction:

- White PMMA injection body ring
- Main core is of metal construction for effective heat management
- Lightly stippled opal lens smooths out LED diodes image
- Twist and turn to lock mounting bracket
- No visible screws after installation

Finish:

- White PMMA injection

Optical System:

- Multiple 2835 LEDs DOB light module
- Light module mounted to metal main core for effective heat management
- 90CRI, 3 CCT selectable (3000K, 4000K, 5000K)
- 90+lm per watt, minimum 1800lm @ 3000K CCT
- Lightly stippled opal lens spread light evenly
- Life rating of 50000 hrs

IP53-RFL300SM

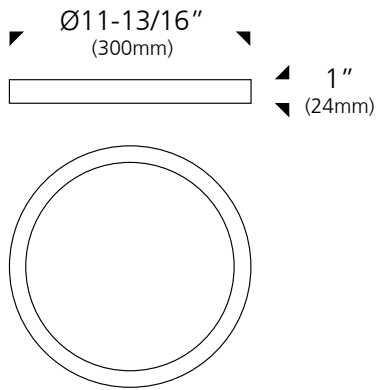
Electrical System:

- HPF high efficiency driver on board design
- Low THD, short circuit and overheat protected
- 20W system watt, 120V line dimmable
- RoHS compliant

Mounting:

- PMMA injection mounting bracket mounts to 4" outlet box
- Line up fixture to bracket, push up, twist and turn to lock
- No visible screws after installation

Dimensions:



Related models:

RFL125SM



RFL170SM



RFL240SM



RFL400SM

