



Ø4"

Project:	Type:	QTY:
Product Code:		



Product Code

IP53	-	RFL4	-	TRIM COLOR	-	INTENSITY	-	VOLTAGE
				W*=White		WW27 =2700K, 810 lm		12VDC=12V, DC
				A =Aluminum		WW30*=3000K, 825 lm		
				CC =Custom Color		WW35 =3500K, 840 lm		
						NW40 =4000K, 870 lm		
						BW50 =5000K, 900 lm		

Note: * Components usually in-stock for quick assembly and shipping.

Features + Specifications

Intended Use:

- Building interior
- Building exterior (ceiling recessed only)
- Damp location listed
- IC rated, approved and tested for direct contact with insulation materials

Construction:

- Die-cast aluminum one piece trim frame with built-in heat sink
- Opal PMMA lens with light glide technology for even light distribution
- Full metal top plate protects LED PCB
- Heavy duty installation springs ensure tight fitting to ceiling

Finish:

- W = Powder coat painted
- A = Anodized aluminum
- CC = Powder coat painted

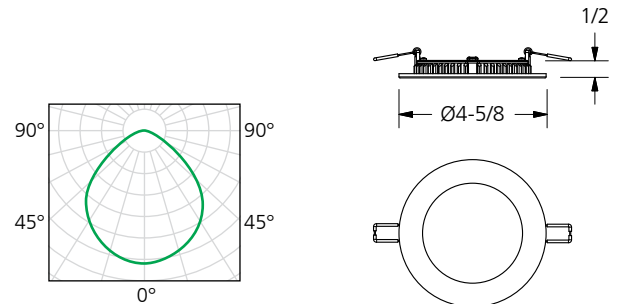
Optical System:

- High brightness Samsung LM561B SMDs with LM80 certificate **6W**
- ***WW30 = 3000K CCT, 825 lumens** minimum with 80+ CRI
- Optional CCT color WW27, WW35, NW40 & BW50 also available (These CCT might require minimum quantities with longer lead time)
- TM-21 data demonstrated L70 up to 90,000 hrs of projected life when operate under normal 25°C ambient temperature around fixture
- PCB made from laminated heavy gauge copper materials
- Each 3 LEDs have its own current limiting circuit provides stable operation

120V dimmable Class II hard wire power supplies available

- 14W -- PSCV-1214-D1** single RFLs up to 12W
- 30W -- PSCV-1230-D1** multiple RFLs up to 27W
- 45W -- PSCV-1245-D1** multiple RFLs up to 40W
- 60W -- PSCV-1260-D1** multiple RFLs up to 54W
- 80W -- PSCV-1280-D1** multiple RFLs up to 72W

Installation hole cut out size: Ø4-1/8"



Electrical System:

- Class 2 extra low voltage designs
- Operate on all 12V DC power source

Certified to CSA C22.2 No.250.0 Conformed to UL 1598

Certification Marks (where applicable) will be found on our luminaires and its components



www.iplighting.com



Right reserved for material and spec modification without prior notice.

Datecode 20141214

Warranty - Up To 3 Years