

Project:	Type:	QTY:
Product Code:		

Product Code: IP54 - 116510

COLOR	SIZE	HEIGHT	WATT.	CCT	DIST	VOLT	OPTIONS
B = Black	6 = 6" sq	20H=20" high	15W	827	SYM =4 sides	120 =120V	GFI = GFI outlet provision
W = White		32H=32" high	21W	830	S =1 side	120D10 =120V, 0-10 dim	RBK= Railing bracket(s)
A = Aluminum	8 = 8" sq	24H=24" high	30W	835	2S180 =opposite sides	277D10 =277V, 0-10 dim	4KV= 4KV surge protector
CC= Custom Color				840	2S90 =2 side @ 90°	347D10 =347V, 0-10 dim	ABT= Anchor bolts with template
		40H=40" high	42W		3S =3 sides		EM= Emergency back up

DELIVERED LUMENS

CCT	15W	21W	30W	42W
827 (2700K)	1143	1571	2285	3143
830 (3000K)	1178	1620	2356	3242
835 (3500K)	1197	1645	2392	3291
840 (4000K)	1250	1719	2499	3435

Features + Specifications

Intended Use:

- Walkway, pathway. landscape lighting
- Interior and exterior
- Wet location listed

Construction:

- All aluminum construction
- Substantial materials thickness for high abuse area use
- Bollard head made from all solid aluminum materials
- Lens made from Plaskolite TUFFAK PC materials
- .125 thick square tube with radius corner
- 3/16" thick die-formed aluminum internal base
- Bollard tube attached to base and head by 2 sets of 8 attachment screws
- All stainless steel fastener
- Silicone gasket for wet location use

Finish:

- Sand textured powder coat paint with UV additive.
- Color in **Black**, white and aluminum.
- Contact factory for Custom Color.

Optical System:

- Light module made from Samsung LM281B+ SMDs
- LM281B+ proven long-life reliable track record of L90@56000hrs
- 2700K, 3000K, 3500K & 4000K CCT, 80CRI minimum
- Light module PCB is made with all aluminum materials without fiber filler
- Please check Samsung web portal for their latest 281B+ data
- 15W & 21W module for 6" size, 30W & 42W module for 8" size
- Lens made from Plaskolite TUFFAK-lumen XT PC material with 62% light transmission
- Delivered lumens table are for symmetrical light distribution (all 4 light widows)
- Multiple light window distribution choices to reduce light trespass



Right reserved for material and spec modification without prior notice

Datacode 20230628

IP54-116510

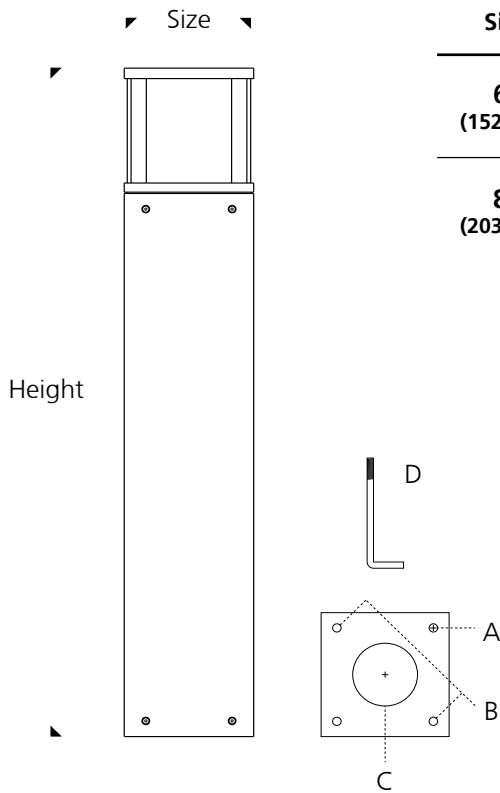
Electrical System:

- HPF high efficiency constant current drive technology
- Low THD, class II output, short circuit & overheat protected
- Optional GFI receptacle provision (GFI receptacle & covers by others)
- 120V line dimmable, 120V 0-10 dimming
- 347 and EM back up available
(please consult factory for more information)

Mounting:

- Glvanized anchor bolts with template (order separately)
- Heavy-duty internal mounting base
- Optional railing brackets attachment (pre-drilled and threaded on the bollard tube)

Dimensions:



Size	Height		A	B	C	D
6" (152 mm)	20" (508 mm)	32" (813 mm)	9/16" (14 mm)	5 1/2" (140 mm)	3" (76 mm)	1/2" x 6" (13x152 mm)
8" (203 mm)	24" (610 mm)	40" (1016 mm)	9/16" (14 mm)	7 1/2" (190 mm)	3" (76 mm)	1/2" x 8" (13x203 mm)

Right reserved for material and spec modification without prior notice

Datacode 20230628