

Project:	Type:	QTY:
Product Code:		

Product Code: IP55 - 112021

COLOR	SIZE	WATT.	CCT	DIST.	VOLTAGE	ACCESSORIES
B = Black	800 = 32"	12W	830	S = Symmetrical	120 = 120V 120D1 = 120V line diming 120D10 = 120V, 0-10 control	ABT = Anchor bolts with template

Features + Specifications

Intended Use:

- Building interior courtyard, wet location listed
- Building exterior walkway, wet location listed
- Perfect for multi-family residential application

Construction:

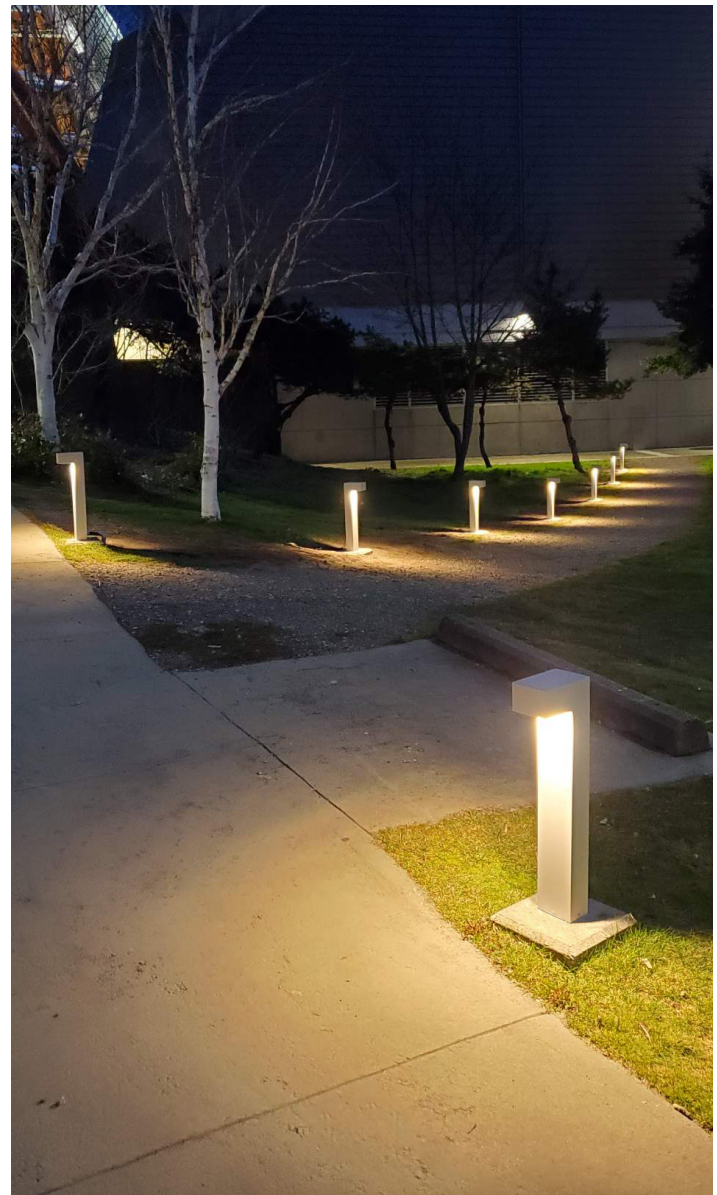
- Extruded aluminum tube construction
- Clear PMMA flat lens with cut-off optics
- Die-cast aluminum mounting base
- Mounts with 4 anchor bolts

Finish:

- Powder coat paint finish in sandy black color
- Paint with UV additives to slow fading in the sun
- Other color might be available with MOQ
- (please contact factory for more information)

Optical System:

- Module made with multiple SMD LEDs
- Lumileds 3030 LED arrays, 3000K, 80 CRI
- Clear PMMA lens sealed off contaminants
- Wide symmetrical light distribution
- 12W system watts, 900 aperture lumens



IP55-112021

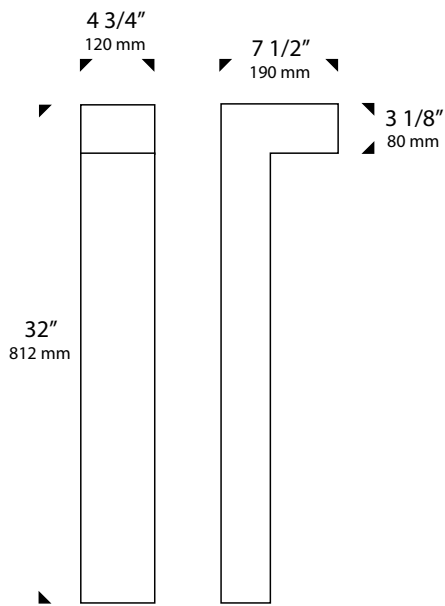
Electrical System:

- HPF, high efficiency, low THD constant current driver
- Driver is short circuit, over heat protected
- Driver with class II output
- 120V non dimming is standard
- 120V line dimmable (120D1)
- 120V with 0-10V control (120D10)

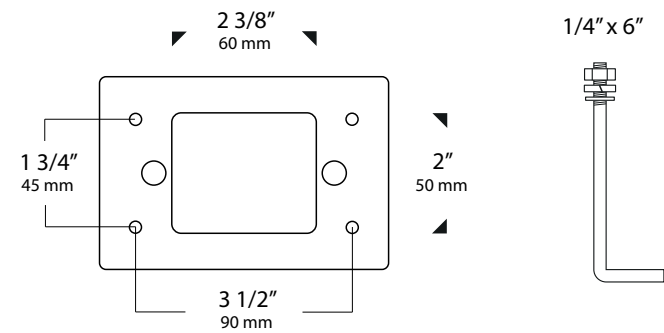
Mounting:

- Base mounted onto a solid level surface
- ABT, anchor bolts and template
- (please order as accessories)

Dimensions:



Accessories:



Related Commercial Grade models:

