

Project:	Type:	QTY:
Product Code:		

**Product Code: IP55-116577**

COLOR	SIZE	WATT.	CCT	DIST.	VOLTAGE	OPTIONS
<b>B =Black</b>	I	8W ①	822	S = Symmetrical ②	120 =120V	CHx = custom height
W =White	II	12W ②	827	F = Foward throw ③	120D10 =120V, 0-10 dim	GFI = GFI Receptacle**
A =Aluminum	III	18W ③	830	L = Linear walkway ③	277D10 =277V, 0-10 dim	EM = Emergency back up (available 120V and ③ only)
CC=Custom color		24W ③	835		347D10*=347V, 0-10 dim	
			840			

Notes: \* 347V available for size II and III only  
 \*\* Provision for GFI receptacles only (receptacles + cover by others)  
 ① applicable to size I  
 ② applicable to size I, II and III  
 ③ applicable to size II and III

**Features + Specifications**

**Intended Use:**

- Building interior/exterior.
- Wet location listed.
- 3 sizes available (SIZE I + SIZE II + SIZE III).

**Construction:**

- Extruded aluminum tube with 1/8" wall thickness.
- One piece construction for strength.
- Hi impact PMMA optical lens with 3 light distribution.
- Light engine compartment sealed off to prevent water & dust ingress.
- Stainless steel base with galvanized anchor rods.

**Finish:**

- Sand textured powder coat paint with UV additive.
- Color in **Black**, white and aluminum.
- Contact factory for Custom Color.

**Optical System:**

- Multiple mid-power SMD light module with 3 light distribution.
- L = Linear walkway, F = Foward throw and S = Symmetrical.
- SMD on all alluminum PCB for excellent heat management.
- Osram Duris 5S 3030 SMDs 2200K, 2700K, 3000K, 3500K & 4000K, 80+CRI.
- 77+lm/W for 2200K, 90+lm/W for other CCTs.
- Check Osram web portal for their latest LM80, and TM21 technical data.



**DELIVERED LUMENS**

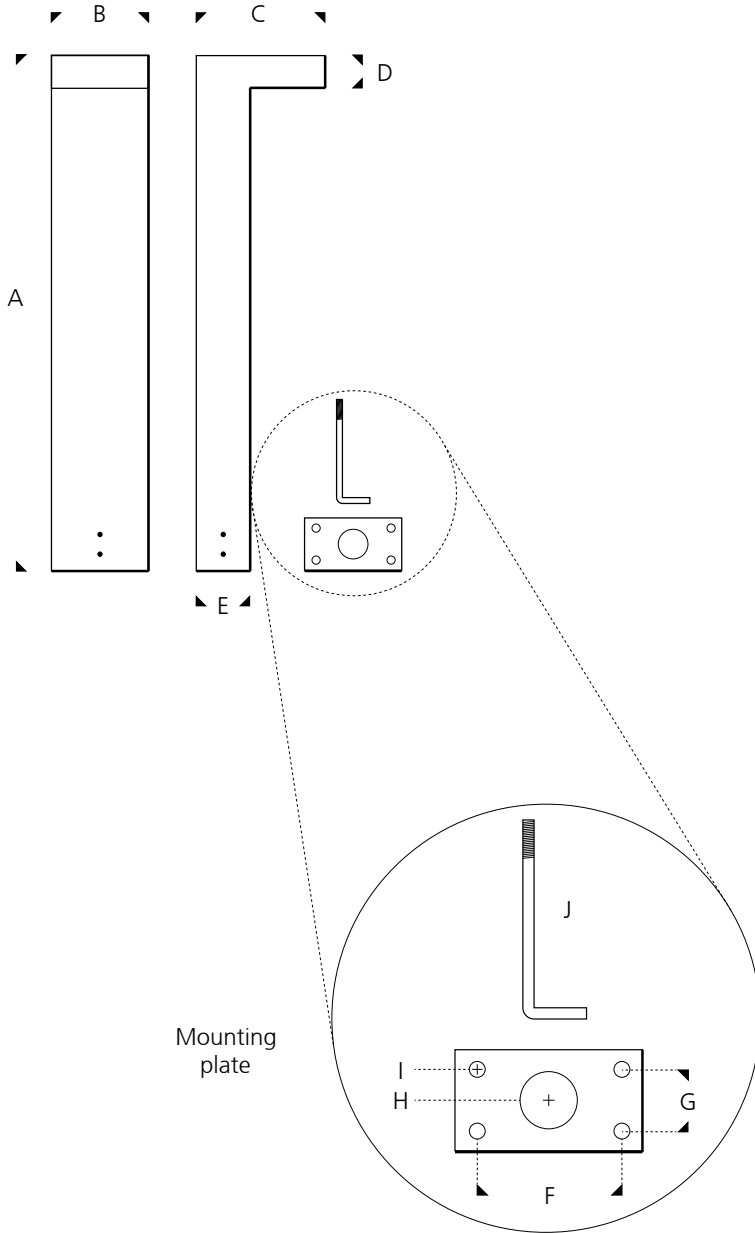
CCT	8W	12W	18W	24W
<b>822</b> (2200K)	520	780	1175	1562
<b>827</b> (2700K)	612	918	1378	1840
<b>830</b> (3000K)	682	1022	1530	2050
<b>835</b> (3500K)	745	1170	1753	2339
<b>840</b> (4000K)	780	1180	1765	2350

# IP55-116577

## Electrical System:

- Constant current driver technology.
- High efficiency, low THD, RoHS compliant.
- Overheat with short circuit protection.
- 120V line dimmable, 120V 0-10 dimming.
- 347V and EM back up available for size II + III only (please consult factory for more information).

## Dimensions:



Size	I	II	III
<b>A</b>	24" (610 mm)	32" (813 mm)	40" (1016 mm)
<b>B</b>	3 15/16" (100 mm)	5 15/16" (150 mm)	7 7/8" (200 mm)
<b>C</b>	6 11/16" (170 mm)	8 11/16" (220 mm)	11" (280 mm)
<b>D</b>	2" (50 mm)	2" (50 mm)	2" (50 mm)
<b>E</b>	2" (50 mm)	3 1/8" (80 mm)	3 15/16" (100 mm)
<b>F</b>	2 15/16" (75 mm)	4 5/16" (110 mm)	6 1/4" (160 mm)
<b>G</b>	1" (25 mm)	1 9/16" (40 mm)	2 1/4" (57 mm)
<b>H</b>	1 1/4" (32 mm)	2 3/8" (60 mm)	2 3/4" (70 mm)
<b>I</b>	3/8" (10 mm)	1/2" (13 mm)	9/16" (15 mm)
<b>J</b>	6 x 1/4" (152 x 6.4 mm)	6 x 3/8" (152 x 9.5 mm)	6 x 1/2" (152 x 13 mm)

Right reserved for material and spec modification without prior notice

Datacode 20230622