

Project:	Type:	QTY:
Product Code:		

Product Code

IP55 - 616611

TRIM COLOR

LED DATA

VOLTAGE

ACCESSORIES

B* =Black	7W	822
W =White	10W	827
A =Aluminum		830*
CC=Custom Color		840

120*	=120V
120D	=120V line dimmable
120D10	=120V 0-10 dimming

CPMK=Concrete Pour Mounting Kit
HSG =Recessed Housing

Note: * Components usually in stock for quick assembly.

Features + Specifications

Intended Use:

- Building interior
- Building exterior
- Wet location listed

Construction:

- Die-cast aluminum 1/8" thick one piece face plate with asymmetrical light well
- Shallow light well slope >60° to prevent foot insertion
- Hi impact tempered glass lens, lightly frosted to reduce LED diode sharpness
- Entire light engine compartment sealed off to prevent water and dust ingress
- Sheet aluminum recessed housing, post painted for added corrosion protection
- Closed cell PSA foam gasket where face plate meets wall surface for better seal against moisture (direct contact of power washer nozzle wash down NOT recommended)

Finish:

- Sand textured powder coat paint with UV additive
- Color in Black, white and Aluminum
- Contact factory for Custom Color

Optical System:

- Multiple mid-power SMD linear light module
- SMD on all aluminum PCB for excellent heat management
- Osram Duris 2835 SMDs for 2200K. Samsung LM281B+ SMDs for 2700K, 3000K & 4000K, CRI 80
- Check Osram & Samsung web portal for their latest LM80, LM70 and TM21 technical data

LUMINAIRE APERTURE LUMENS

	2200K (822)	2700K (827)	3000K (830)	4000K (840)
7W	490	690	705	725
10W	700	1000	1010	1150



IP55-616611

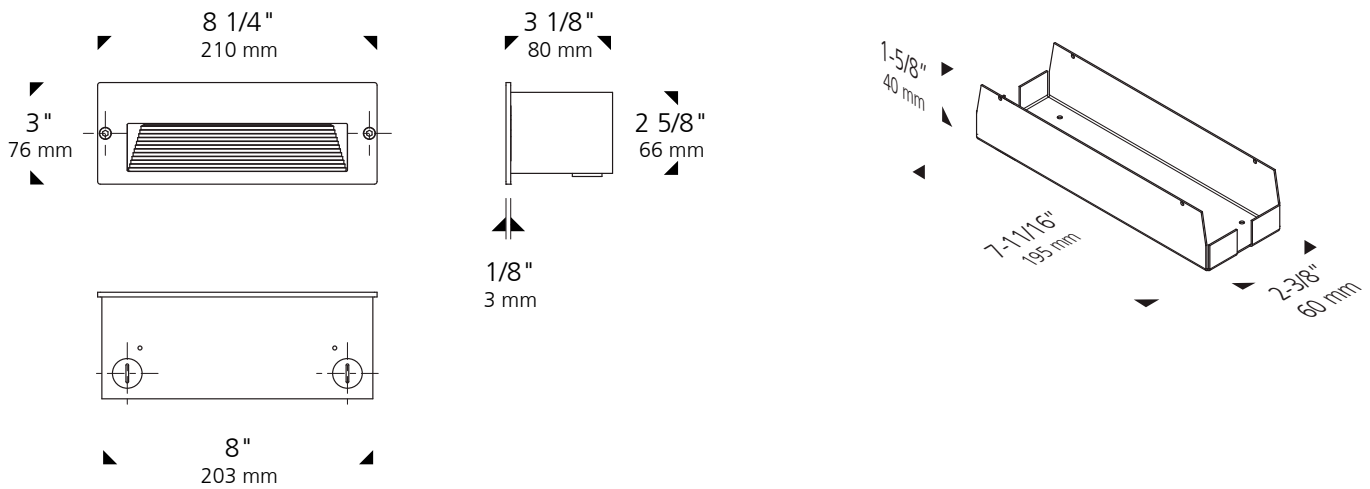
Electrical System:

- Constant current drive technology
- High efficiency, low THD, RoHS compliant
- Overheat with short circuit protection
- 120V non-dimming, optional 120V line dimming, 120V 0-10 dimming

Accessories:

- IP00-616611-HSG recessed housings
- IP00-616611-CPMK concrete pour mounting kit

Dimensions:



Related models:

