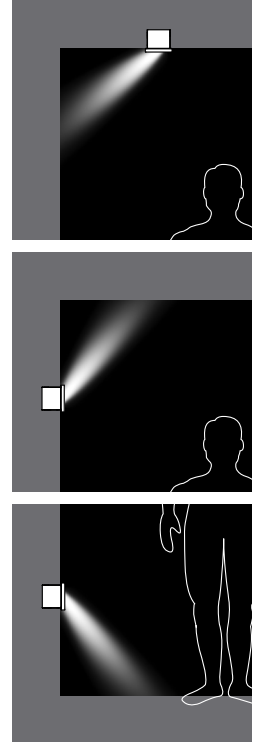




| | | |
|---------------|-------|------|
| Project: | Type: | QTY: |
| Product Code: | | |

Product Code

| IP55 - 616613 - | COLOR | LAMP | VOLT | OPTION |
|-----------------|-----------------|-------------|----------|---------------|
| | B =Black | 12W3K=3000K | 120=120V | CPMK=Concrete |
| | G =Grey | 12W4K=4100K | 277=277V | Pour |
| | W =White | 12W5K=5500K | 347=347V | Mounting |
| | A =Aluminum | | | Kit |
| | CC=Custom Color | | | |



Features + Specifications

Intended Use:

- Building interior
- Building exterior

Construction:

- Heavy weight die cast aluminum front face plate
- Die cast aluminum inner fixture body
- Galvanized steel back box with optional concrete pour mounting kit
- Stainless steel fasteners
- Frosted PMMA lens (High Impact)
- Extruded silicone gasket

Finish:

- Sand textured powder coat paint finish

Optical System:

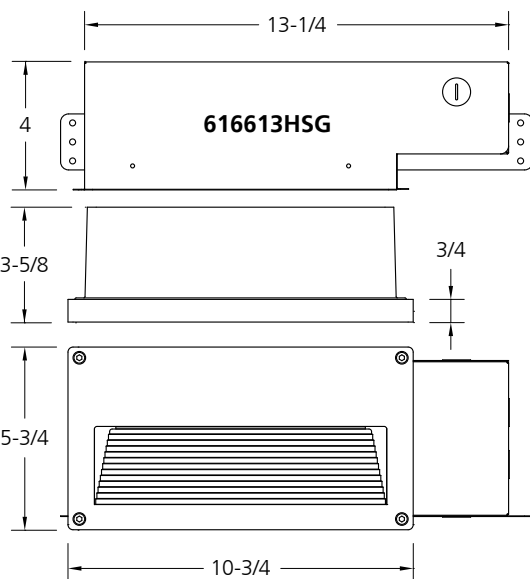
- 12W LED engine with 100+ lumens per LED watt, 80CRI, 50000 hrs L70

Electrical System:

- 120V AC standard, optional 277V & 347V AC

Accessories:

- Use with recessed housing number **IP00-616613HSG**



Right reserved for material and spec. modification without prior notice.

Datecode 20140920

Warranty - Up To 3 Years

Certified to CSA C22.2 No.250.0 Conformed to UL 1598

Certification Marks (where applicable) will be found on our luminaires and its components



www.iplighting.com

Light of Your World

