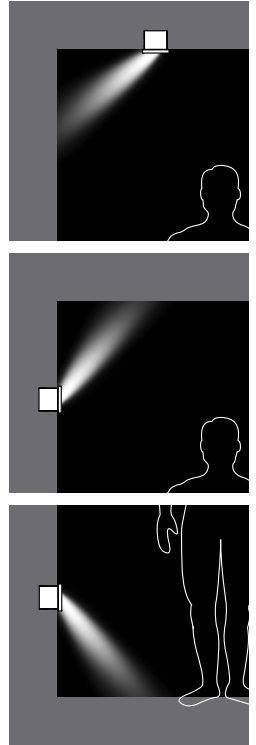




Project:	Type:	QTY:
Product Code:		

## Product Code

IP55 - 616615 -	COLOR	-	LAMP	-	VOLT	-	OPTION
	B =Black		21W3K =3000K, 2625lm		120 =120V		CPMK=Concrete
	G =Grey		21W4K =4000K, 2950lm		120/277D10=120-		Pour
	W =White		21W18K=1800K, 1815lm		277V 0-10		Mounting
	A =Aluminum		21W22K=2200K, 1980lm		dimming		Kit
	CC=Custom Color				347 =347V		



## Features + Specifications

### Intended Use:

- Building interior
- Building exterior

### Construction:

- Heavy weight die cast aluminum front face plate
- Die cast aluminum inner fixture body
- Aluminum concrete tight back box
- Optional concrete pour mounting kit available (order 616615-CPMK)
- Stainless steel fasteners
- Tempered glass frosted lens
- Extruded silicone gasket

### Finish:

- Sand textured powder coat paint finish

### Optical System:

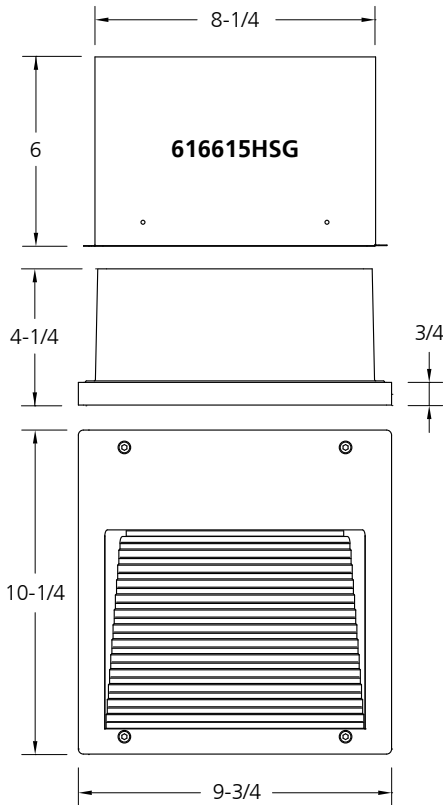
- LED light module made with multiple SMD LEDs
- High brightness, long life with L70 @ 50,000 hours
- 1800K, 2000K, 3000K and 4000K with 80CRI
- Low glare optics with wide asymmetrical forward throw light pattern

### Electrical System:

- Constant current drive technology
- HPF, low THD high efficiency design
- RoHS compliant, overheat and short circuit protected
- 21 System watt
- 120V line dimmable, 120-277 with 0-10 and 347V

### Accessories:

- Use with recessed housing number **IP00-616615HSG**



Right reserved for material and spec. modification without prior notice.

Datecode 20200518

Warranty - Up To 3 Years

Certified to CSA C22.2 No.250.0 Conformed to UL 1598

Certification Marks (where applicable) will be found on our luminaires and its components



www.iplighting.com

Light of Your World

