

Project:	Type:	QTY:
Product Code:		

Product Code:

IP65 - 112003	COLOR	STYLE	INTENSITY	VOLT	OPTIONS
	<b>B = Black</b> CC = Custom color	RC FC RL FL	10W3K 10W3K 12W3K 12W3K	120=120V	ABT = Anchor Bolts with Template

Features + Specifications

Intended Use:

- Pathway & landscape lighting
- Interior and exterior
- Wet location listed
- Recommended for residential low traffic application

Construction:

- Die-cast aluminum bollard head
- Extruded aluminum bollard tube
- Die-cast aluminum base plate
- Clear PC lens
- Extruded silicone gasketing
- Stainless steel fastener

Finish:

- Powder coat paint finish
- Stock color is sandy textured black
- Custom color from RAL color chart or Prismatic color chart

Optical System:

- RC=dome top with down-light cone optics, 10W
- FC =flat top with down-light cone optics, 10W
- RL =dome top with internal up-light louvers optics, 12W
- FL =flat top with internal up-light louvers optics, 12W
- Down-light cone optics with 3000K CCT 80+CRI, 720+ delivered lumens
- Down-light optics made with Osram 2835 SMDs
- Up-light louvers optics with 3000K CCT 90 CRI, 630+ delivered lumens
- Up-light LED module made with Luminus Gen3 COB
- Please check on Osram and Luminus web portal for their latest LM79 and TM21 data

Style RC



Style RL



Style FL



Style FC



Right reserved for material and spec modification without prior notice

Datocode 20230714

# IP65-112003

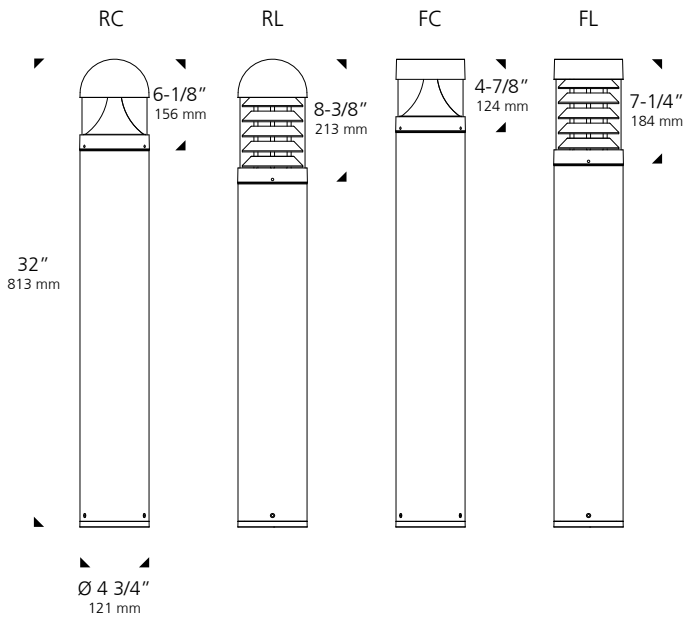
## Electrical System:

- HPF high efficiency constant current driver technology
- Low THD, class II output, short circuit & overheat protected
- Optional 4KV or 20KV surge protection available
- EM battery driver units available, please contact factory with your application needs

## Mounting:

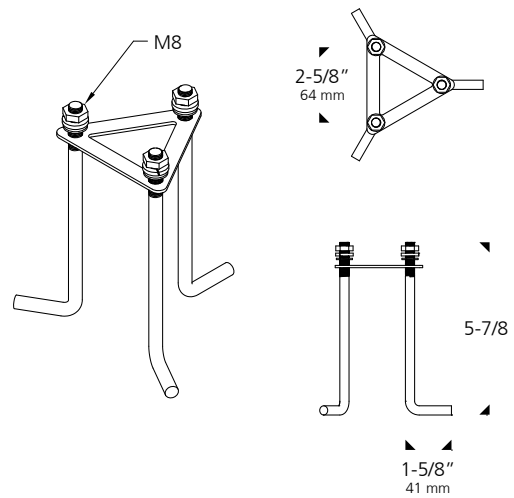
- Mounts directly onto concrete base or concrete walkway
- Optional J shape anchor bolts with concrete pour template available

## Dimensions:



## Accessories:

### Anchor Bolts & Template



Right reserved for material and spec modification without prior notice

Datocode 20230714