

Project:	Type:	QTY:
Product Code:		



Product Code: IP65 - 118022

COLOR	SIZE	WATT.	CCT	DIST.	VOLTAGE	OPTIONS
B = Black	24 = 24"	10W	822	S = Symmetrical	120 =120V	ABT = Anchor, Bolts and Template
CC = Custom color	40 = 40"	20W	827	33 = 3 light wells	120D10 =120V, 0-10 dim	CHx= custom height
		28W	830	29 = 2 @ 90°	277D10 =277V, 0-10 dim	RBK = Railing Bracket(s)
			840	21 = 2 @ 180°	347D10 =347V, 0-10 dim (consult factory)	CHL = Chain loops
				01 = Single light well		EM = Emergency back up (available 120V, 28W, 40H only)

Features + Specifications

Intended Use:

- Walkway, pathway, landscape lighting
- Building interior / exterior
- Wet location listed

Construction:

- Die-cast aluminum bollard head
- Anti-glare asymmetrical light wells provide broad distribution
- Frosted high-impact PC lens shields LED diodes sharpness
- Extruded aluminum 8" bollard tube, 2 heights, **24"** & **40"**
- Stainless steel base plate with 1/2" galvanized steel anchor bolts
- Optional **RBK** (railing brackets) or **CHL** (chain loops)

Finish:

- Powder coat paint finish in BLACK
- Custom color available (Using RAL color chart or Prismatic color chart)

Optical System:

- SDMs light module for 2200K, 2700K, 3000K & 4000K CCT light source
- 4 deep light wells design provides no-glare symmetrical distribution
- Light wells are configurable
- 10W, 20W and 28W LED modules, 70lm/W for 2200K, 100+lm/W for other CCT
- Samsung LM561B+ SMDs for 2700K, 3000K, 3500K & 4000K CCT, 80CRI
- Osram Duris 2835 SMDs for 2200K CCT, 80CRI
- Please check each LED provider web site for their latest LM80 and TM21 technical data

APERTURE LUMENS (FOR S DISTRIBUTION)

CCT	10W	20W	28W
827 (2700K)	1017	2050	2880
830 (3000K)	1105	2185	3050
835 (3500K)	1120	2380	3275
840 (4000K)	1235	2430	3325

IP65-118022

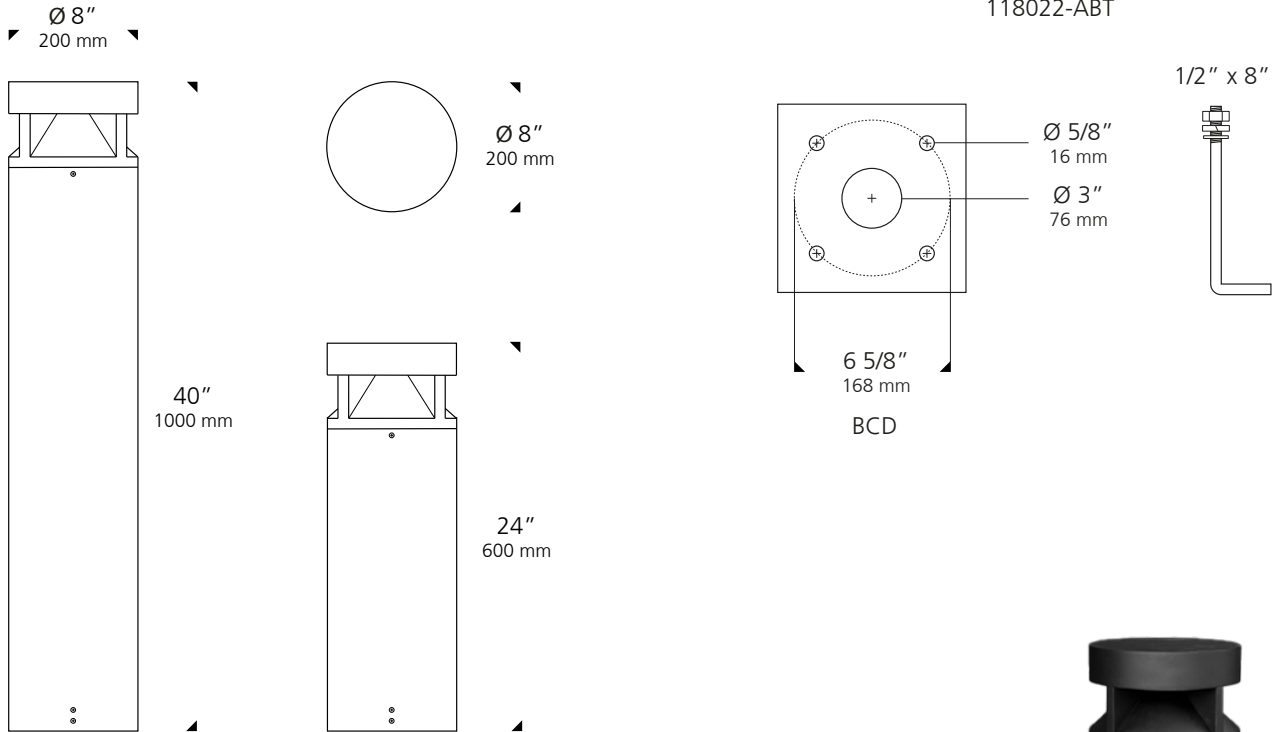
Electrical System:

- HPF low THD high efficiency constant current driver technology
- Overheat, short circuit protected, -40C cold temperature and RoHS compliant
- 120V, 120-277V with 0-10, consult factory for 347V

Mounting:

- Installed over anchor bolts kit, Order 118022-**ABT**
(4 pcs 1/2" dia x 8" long anchor bolts and template)

Dimensions:



Dist. pattern:

