

Project:	Type:	QTY:
Product Code:		

Product Code

IP65 - 517025	COLOR	LED DATA	DIST.	VOLTAGE	OPTIONS
	W = White	18W 830	T2=Type II	120 = 120V	PAM = Pole Arm Mount
	B = Black	24W 835	T3=Type III	277 = 277V	WM = Wall Mount
	A = Aluminum	30W 840	T4=Type IV	347 = 347V	YM1 = Yoke Mount 1
		36W	T5=Type V		S3 = 3" Square pole strap
					S4 = 4" Square pole strap
					R3 = Ø3" Round pole strap
					R4 = Ø4" Round pole strap

Features + Specifications

Intended Use:

- Building exterior and interior
- Wet location listed

Construction:

- Die cast aluminium housing
- Die cast aluminium hinged lens frame
- Silicone gaskets IP65 rated
- Clear tempered glass lens
- All stainless steel fasteners

Finish:

- Powder coat paint finish

Optical System:

- Multiple 3030 LEDs light modules made with aluminum PCB
- 3030 LEDs by Samsung with excellent service life
- Please check Samsung web portal for their latest LM80 and TM21 data
- Computer designed high quality PMMA optical lens
- Type II, III, IV and V optics available
- Die-formed aluminum light modules mounting structure
- Wide mounting structure surface provides effective heat management.
- This optical system is inside a sealed exterior housing, lens frame and clear glass lens

DELIVERED LUMENS

CCT	18W	24W	30W	36W
3000K (830)	1845	2460	3080	3700
3500K (835)	1851	2482	3100	3762
4000K (840)	1900	2546	3180	3825



IP65-517025

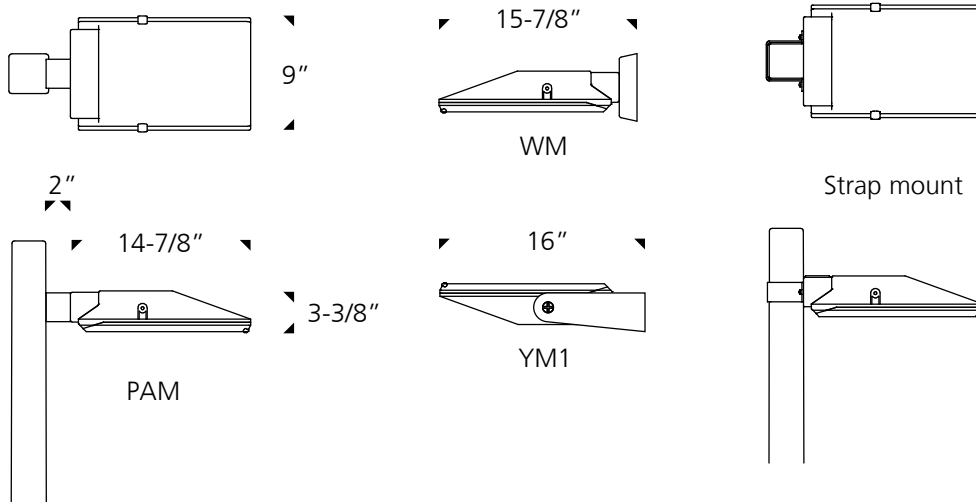
Electrical System:

- Constant current driver technology
- HPF, low THD and high efficiency
- Overheat and short circuit protected
- Potted, Class P with class 2 output
- 120V, 277V, 347V RoHS compliant

Mounting:

- Pole arm mount, wall mount, yoke mount 1, strap mount to 3" & 4" round and square poles
- We can also supply poles. Please contact factory for more information

Dimensions:



Right reserved for material and spec modification without prior notice

Datocode 20250212