

Project:	Type:	QTY:
Product Code:		

**Product Code:**

IP65 - 616631

**COLOR**

- B = Black
- W = White
- A = Aluminum

**CCT**

5CCT

**VOLTAGE**

120 = 120V

**Features + Specifications**

**Intended Use:**

- Building interior
- Building exterior
- Wet location listed

**Construction:**

- Die-cast aluminum 1/8" thick one-piece face plate with asymmetrical light well
- Entire light module compartment sealed off to prevent water and dust ingress
- Light module snap into mounting plate vertically or horizontally
- Closed cell foam gasket where face plate meets wall surface for better seal against moisture (direct contact of power washer nozzle wash down NOT recommended)

**Finish:**

- Sand textured powder coat paint with UV additive
- Color in black, white and aluminum
- Contact factory for Custom Color

**Optical System:**

- 2W light module made with multiple 2835 LEDs
- LEDs are on aluminum PCB for excellent heat management
- CCT is field selectable, >80CRI, 50000hrs life rating
- 2700K/3000K/3500K/4000K/5000K by dip switch
- Entire light chamber is sealed off with a regressed frosted lens
- No glare cut-off asymmetrical distribution with 125 delivered lumens



Right reserved for material and spec modification without prior notice

Datacode 20250113



Certified to C22.2 No. 250.0 Conformed to UL 1598 | Certification marks (where applicable) will be found on our luminaires and its components

[www.iplighting.com](http://www.iplighting.com)



# IP65-616631

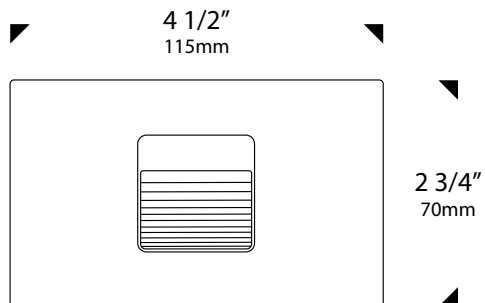
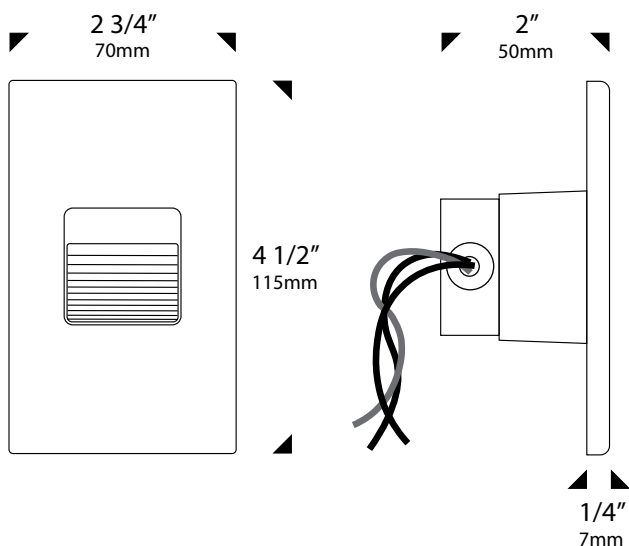
## Electrical System:

- Constant current drive technology
- High efficiency, low THD, RoHS compliant
- Overheat with short circuit protection
- 120V line dimmable with most dimmers.

## Mounting:

- Mounts into deep electrical outlet boxes
- Outlet boxes (by others) to be flush with finish surface

## Dimensions:



Right reserved for material and spec modification without prior notice



Datocode 20250113